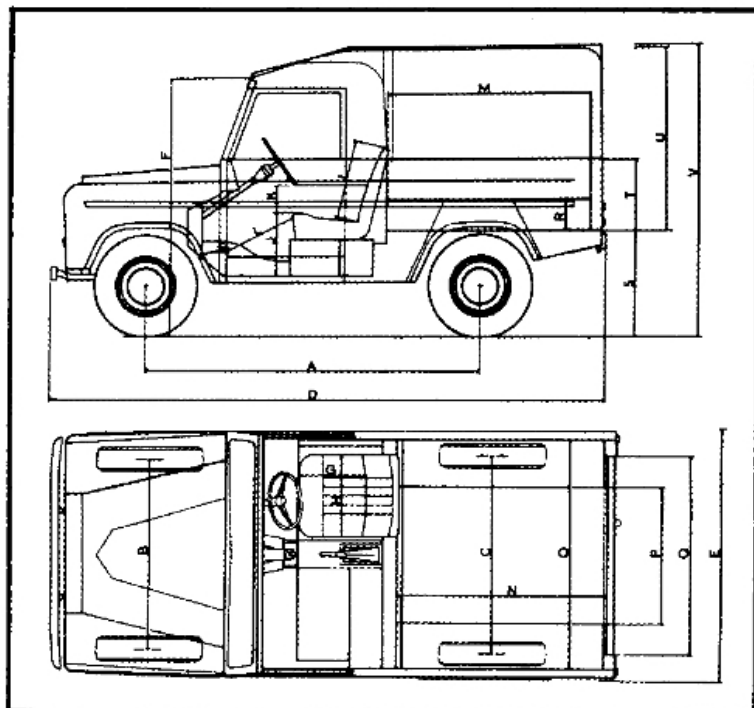


TREKKA



ENGINE

Cylinders	4 (wet sleeve, replaceable liners)
Bore/stroke	72/75 mm or 2.83" 2.95"
Swept volume (displacement)	1221 c.c. or 74.51 cu. in.
Power output, SAE	47 BHP/4500 RPM
Compression ratio	7.5 to 1

FILLING CAPACITIES:

Cooling system (water)	1½ gallons
Engine (oil)	2 quarts
Gearbox (oil)	1½ pints
Rear axle housing (oil)	1½ quarts

FUEL:

Fuel consumption	25-30 m.p.g.
Fuel tank capacity	11 gallons

GEARBOX: Four-speed: second, third and fourth speeds with synchromesh.

CLUTCH: Dry, single-plate friction clutch.

REAR AXLE: With independent swinging half axles. Transmission ratio 5.25 to 1. Fully enclosed drive shaft (will not pick up debris). "Balanced Traction" (limited slip) differential (optional extra).

BODY CONSTRUCTION: All steel welded construction, 2 doors, removable window frames and tail-board. 5 storage lockers.

TYRES: 5.90—15".

BATTERY: 12V / 9 plate.

The Company's policy of continual research and development necessitates reservation of its right to alter any prices and specifications at any time, without notice, and all goods are sold subject to prices and conditions of sale ruling at the time of delivery.

Auckland Provincial Dealers:

Town and Country

CARS LTD.

32-40 NELSON STREET, AUCKLAND. PHONE 44-964 Extn. 85
LICENSED MOTOR VEHICLE DEALERS

SPECIFICATION

A 7 ft. 1½ in.	B 11 ft. 8 in.	C 6 ft. 3 in.	D 5 ft. 3 in.
E 2 ft. 3½ in.	F 4 ft. 8½ in.	G 4 ft. 4 in.	H 2 ft. 10 in.
I 3 ft. 10½ in.	J 4 ft. 3 in.	K 1 ft. 6½ in.	L 8 in.
M 1 ft. 5½ in.	N 1 ft. 8 in.	O 1 ft. 7½ in.	P 1 ft. 3½ in.
Q 7 in.	R 1 ft. 7½ in.	S 1 ft. 6 in.	T 11 in.
U 4 ft. 2½ in.	V 3 ft. 11½ in.	W 4 ft. 0½ in.	

Turning circle . . . 31 ft. 6 in.

Ground clearance . . . 7½ in. minimum

WEIGHT: Tare weight — 18 cwt. 14 lbs.

Payload — 10 cwt.

PRICE:

OPTIONAL EXTRAS: Upholstered rear seats, towbar, limited slip differential, canvas cab-open tray version at no extra cost, passenger sun visor, exterior passenger side wing mirror, power brakes.

Distributed by Motor Lines Ltd., and built in New Zealand by Motor Industries International Ltd. — members of the MOTOR HOLDING GROUP. TREKKA is a registered trade mark.

